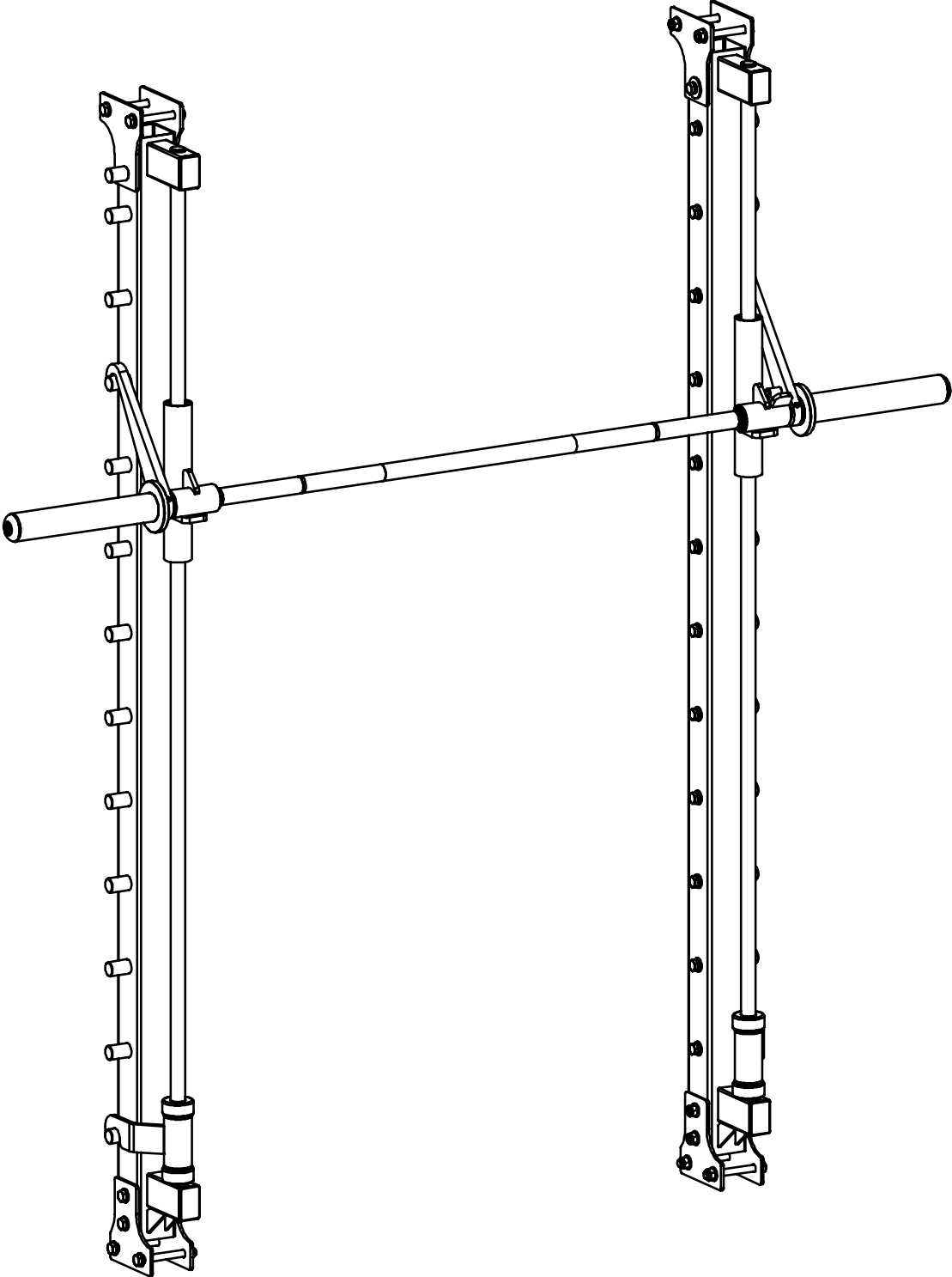


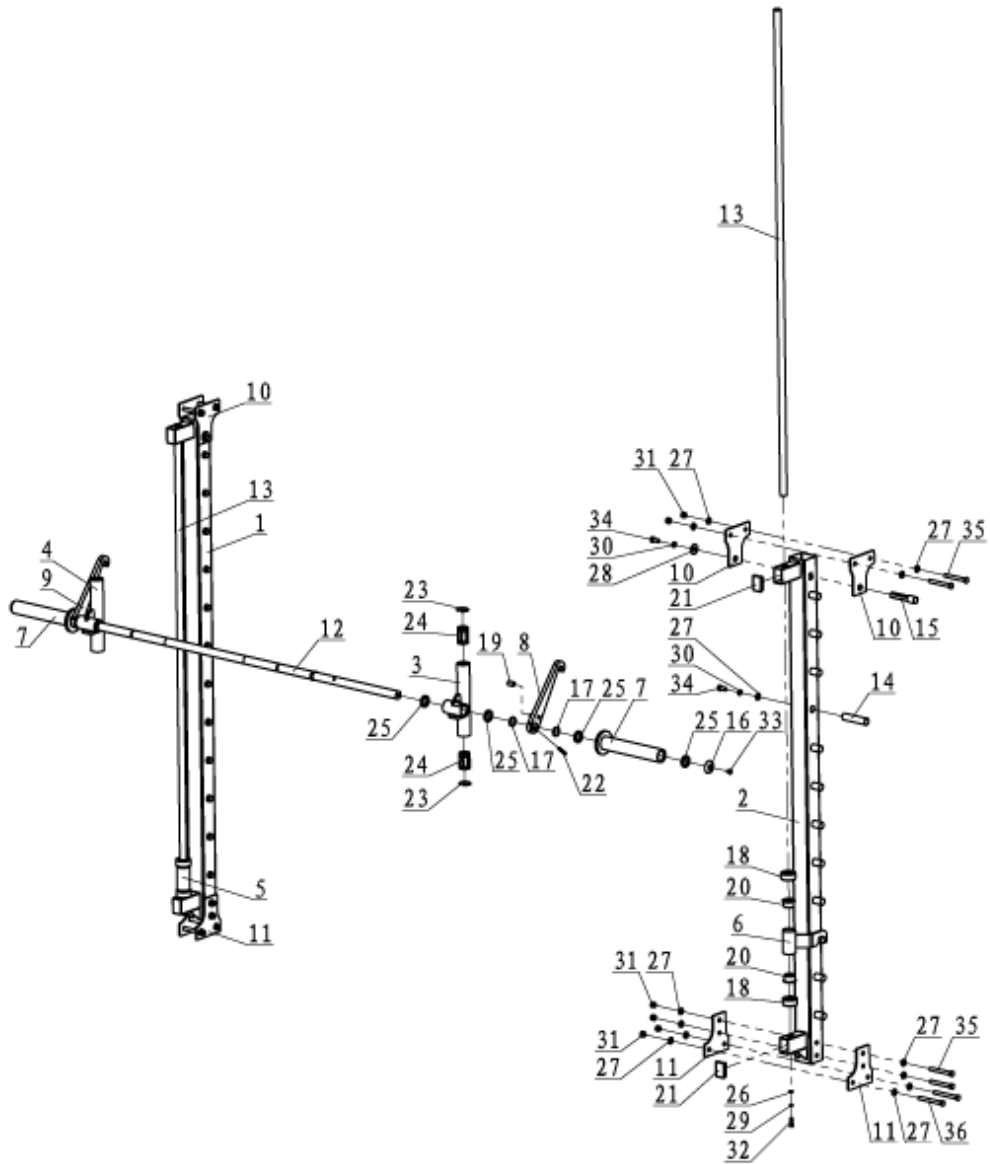
SMITH MACHINE

FR57-SM (PR-P-SM)



EXPLODED DRAWING& PARTS LIST

PARTS LIST



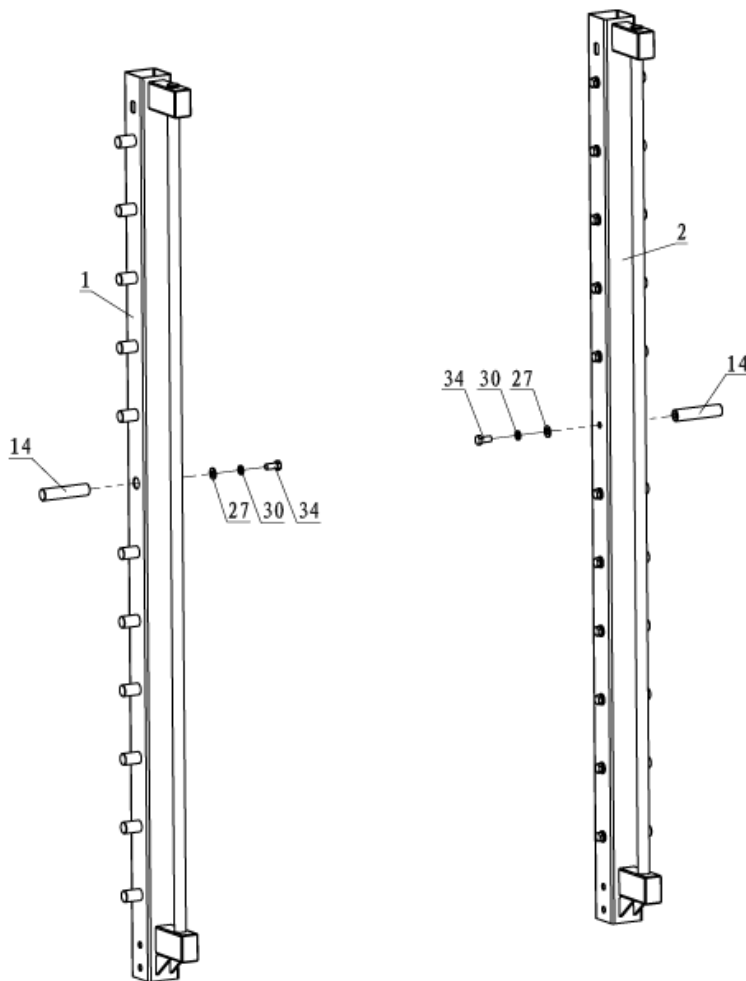
Part No.	Description	Q'ty	Part No.	Description	Q'ty
1	Left Frame	1	19	Rubber Cap	1
2	Right Frame	1	20	Bush $\Phi 48 \times \Phi 25.5 \times 25$	4
3	Left Sliding Plane	1	21	Plug J40*60*2.5	4
4	Right Sliding Plane	1	22	Cylindrical Pin $\Phi 8 \times 50$	2
5	Left Safety Hook	1	23	Ring $\Phi 40$	4
6	Right Safety Hook	1	24	Bearing SB25UU	4
7	Weight Plate Holder	2	25	Bearing 61806ZZ	8
8	Left Safety Hook Plate	1	26	Flat Washer $\Phi 9 \times \Phi 16 \times 1.6$	2
9	Right Safety Hook Plate	1	27	Flat Washer $\Phi 13.5 \times \Phi 24 \times 2.5$	48
10	Upper Connect Plate	4	28	Washer $\Phi 13 \times \Phi 37 \times 3$	2
11	Lower Connect Plate	4	29	Spring Washer $\Phi 8$	2
12	Barbell	1	30	Spring Washer $\Phi 12$	26
13	Guide Rod $\Phi 25 \times 1910 \times M8$	2	31	Nut M12	12
14	Safety column	24	32	Hex Bolt M8*25	2
15	Safety column	2	33	Hex Bolt M8*15	2
16	End Cap $\Phi 48 \times \Phi 30.2 \times M10$	2	34	Hex Bolt M12*25	26
17	Washer $\Phi 34 \times \Phi 30.2 \times 5$	4	35	Hex Bolt M12*100	8
18	Rubber Mat	4	36	Hex Bolt M12*110	4

ASSEMBLY STEP

Note: Before starting assembly remove all parts and hardware from the carton, ensure you have everything according to the list.

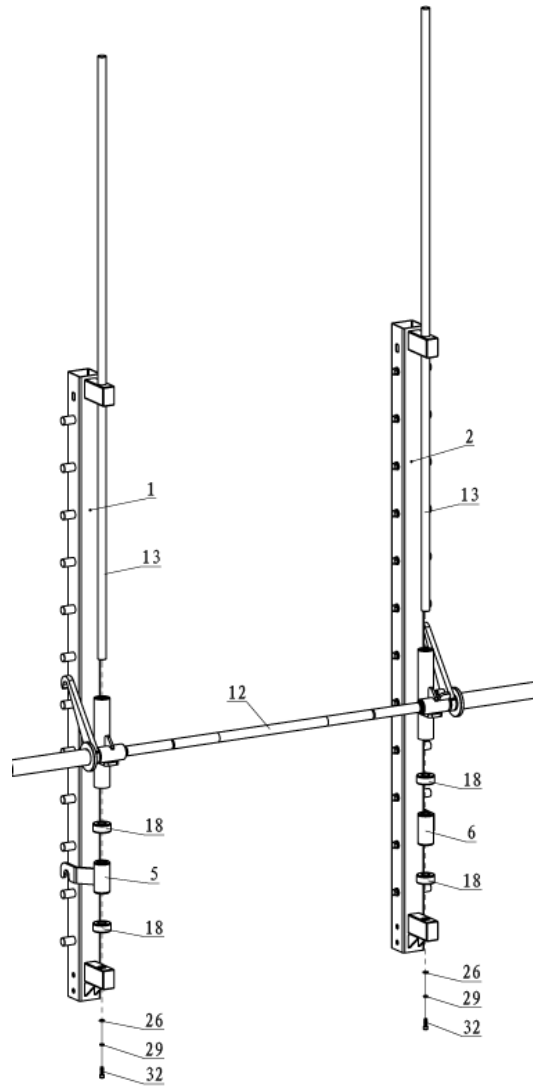
Step 1

Please install the Safety Column (14) to the Left / Right Frame (1/2), using Flat Washer $\Phi 13.5 \times \Phi 24 \times 2.5$ (27), Spring Washer $\Phi 12$ (30), Hex Bolt M12*25(34)



Step 2

Please Install the Guide Rod (13) and the Left / Right Frame(1/2), using Flat Washer $\Phi 9 \times \Phi 16 \times 1.6$ (26), Spring Washer $\Phi 8$ (29), Hex Bolt M8*25 (32). Contact Safety Hook(5/6) and Barbell(12) to Guide Rod (13).



Step 3

Fix the Smith Machine(2) to the Power Rack using Connect Plate (10/11), Safety column(15) , Flat Washer $\Phi 13.5 \times \Phi 24 \times 2.5$ (27), Washer $\Phi 13 \times \Phi 37 \times 3$ (28), Hex Bolt M8*15(32), Hex Bolt M12*25(34), Hex Bolt M12*100(35), Hex Bolt M12*110(36).

