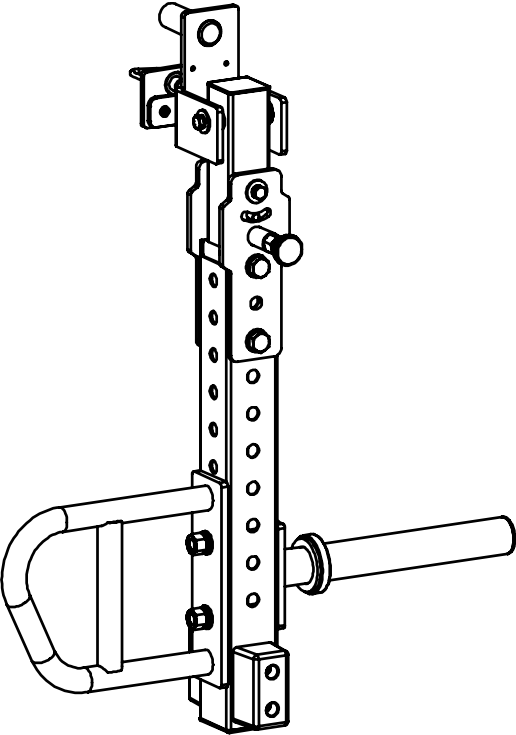
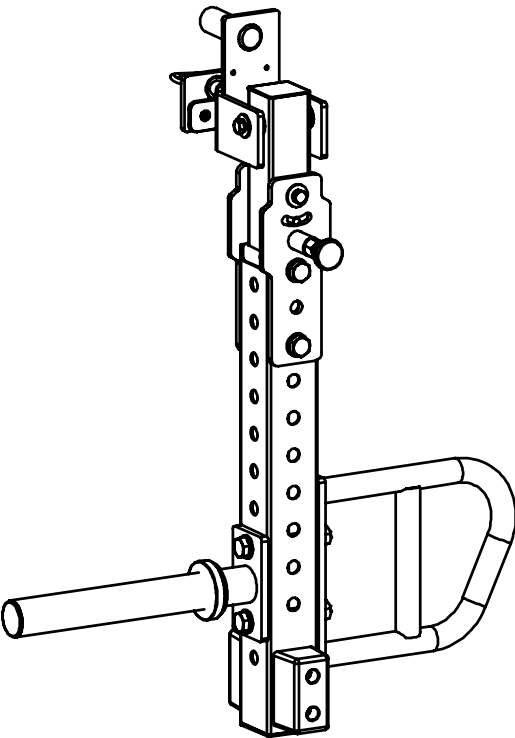
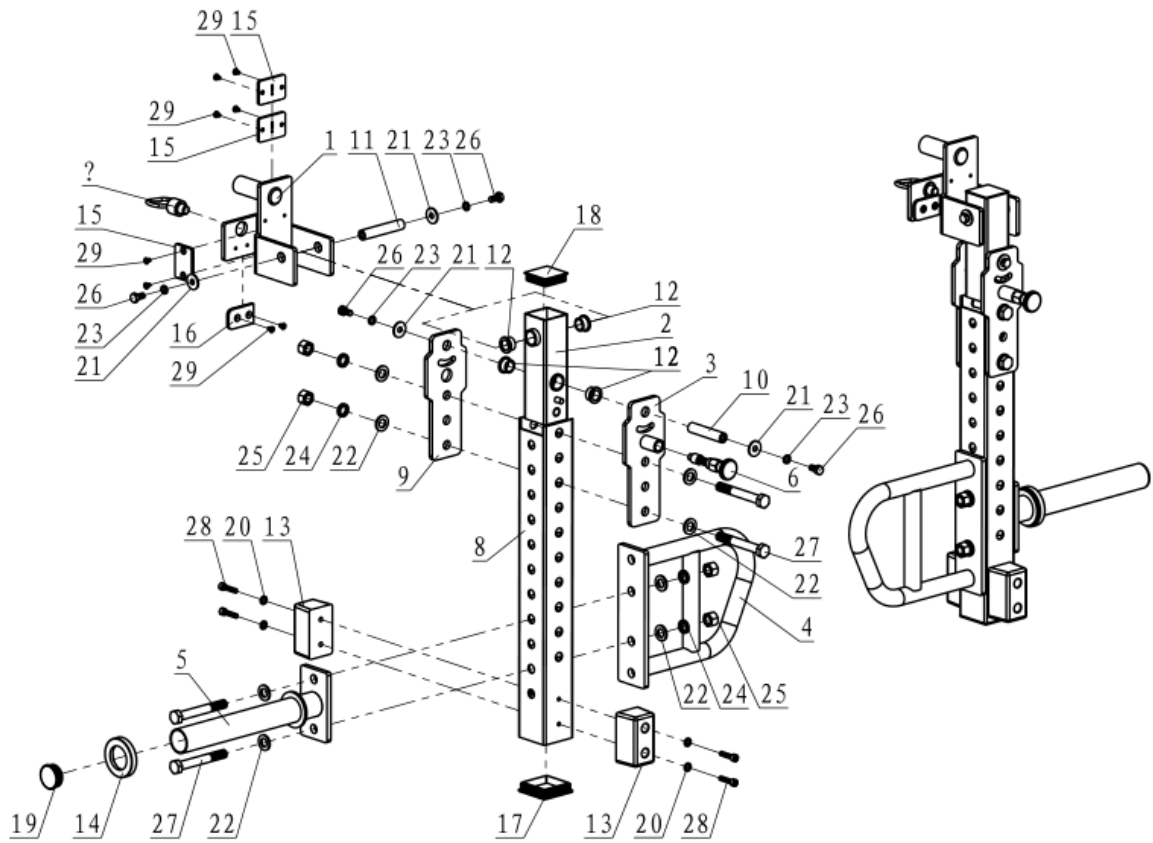


LEVER ARM

PR-P-PA



EXPLODED DRAWING



PARTS LIST

Part No.	Description	Q'ty
1	J Hook	2
2	Extended Frame	2
3	Connect Frame	2
4	Handle Frame	2
5	Plate Frame	2
6	Pins	2
7	M30 Pins	2
8	Main Frame	2
9	Connector Bar	2
10	Shaft ϕ 19*91*M10	2
11	Shaft ϕ 19*103*M10	2
12	Bushing	8
13	Rubber Mat(60-50)*50*100	4
14	Rubber Mat ϕ 77* ϕ 47.5*13	2
15	Plastic Plate 68*48*5	6
16	Plastic Plate 65*40*5	2
17	F75 Plug	2
18	F60 Plug	2
19	Plug ϕ 48*2.5	2
20	Flat Washer ϕ 9* ϕ 16*1.6	8
21	Flat Washer ϕ 10.5* ϕ 30*2.5	8
22	Flat Washer ϕ 17* ϕ 30*3	16
23	Spring Washer ϕ 10	8
24	Spring Washer ϕ 6	8
25	Nut	8