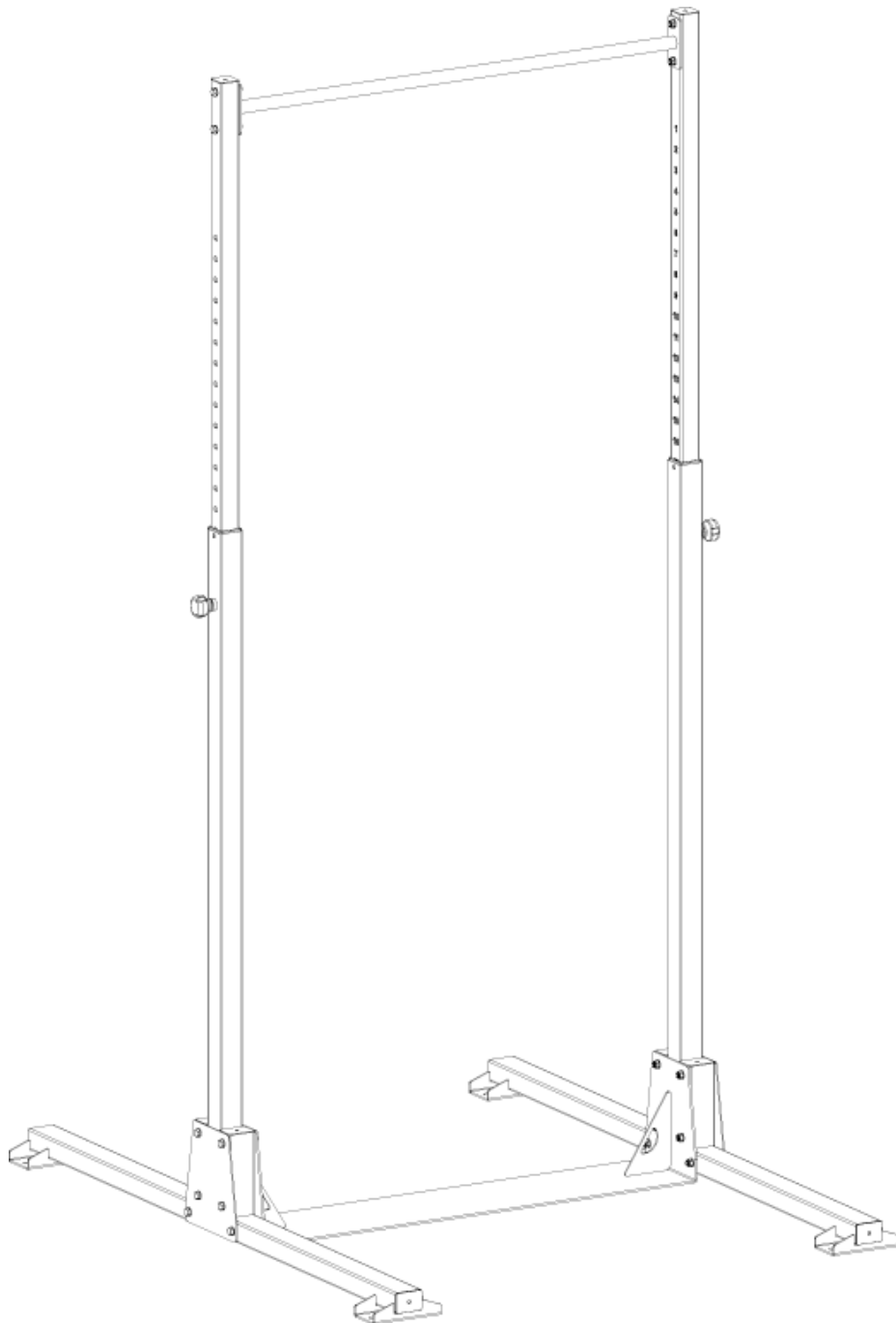
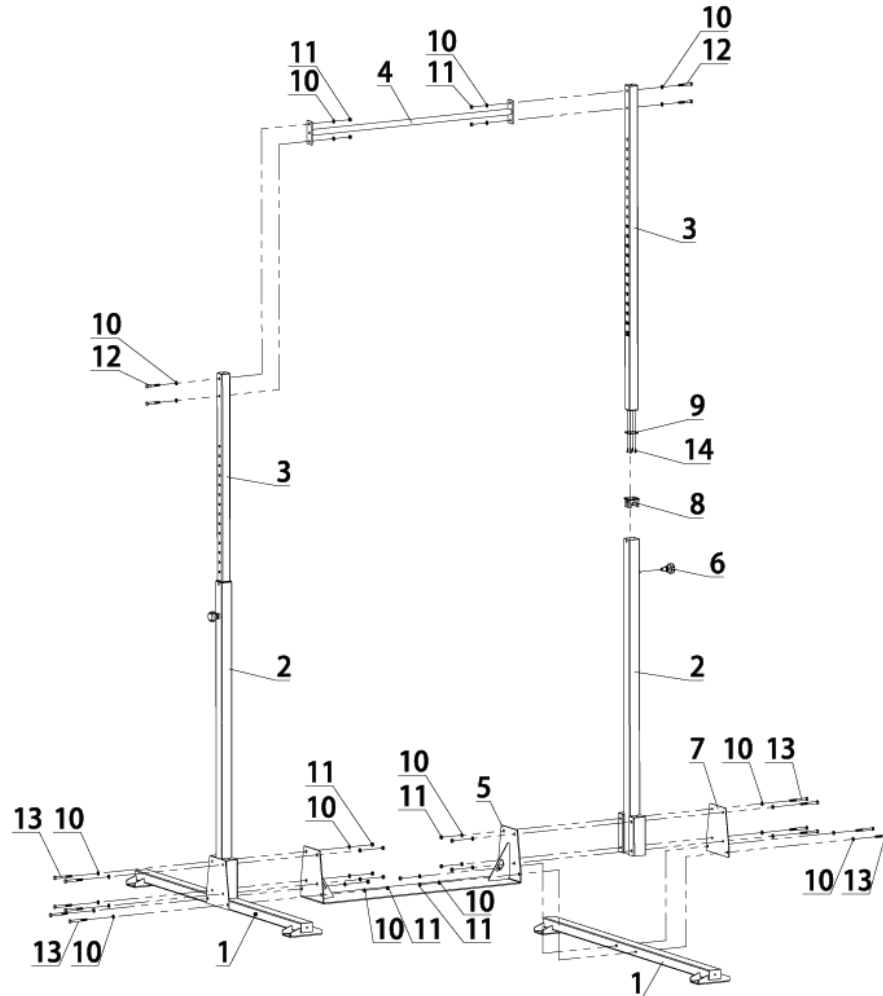


LACERTOSUS[®]

ADJUSTABLE OUTDOOR PULL UP BAR PRO



EXPLODED DRAWING & PARTS LIST

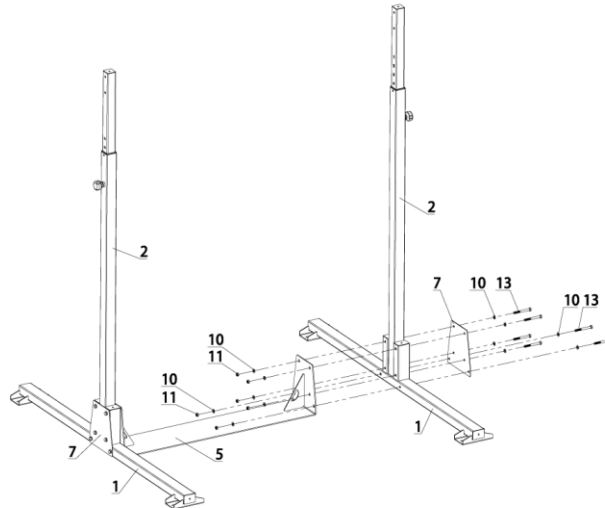


NO.	DESCRIPTION	Q'TY	NO.	DESCRIPTION	Q'TY
1	Base tubing	2	8	Sleeve	2
2	Adjustable outer frame	2	9	Plastic plate	2
3	Adjustable inner frame	2	10	Flat washer Φ 11* Φ 20*2	32
4	Pull bar	1	11	Nut M10	16
5	Lower connect tubing	1	12	Hex bolt M10*70	4
6	Knob	2	13	Hex bolt M10*95	12
7	Fix plate	2	14	Hex pan head Screw M5*15	8

ASSEMBLY

STEP 1

Assemble Base tubing(1), Adjustable outer frame(2), Lower connect tubing(5) and Fix plate(7) using Flat washer $\Phi 11*\Phi 20*2$ (10), Nut M10(11) and Hex bolt M10*95(13) as show.



STEP 2

Assemble Adjustable inner frame(3) and Pull bar(4) using Flat washer $\Phi 11*\Phi 20*2$ (10), Nut M10(11) and Hex bolt M10*70(12) as show.

Please tighten all the bolts and nuts.

