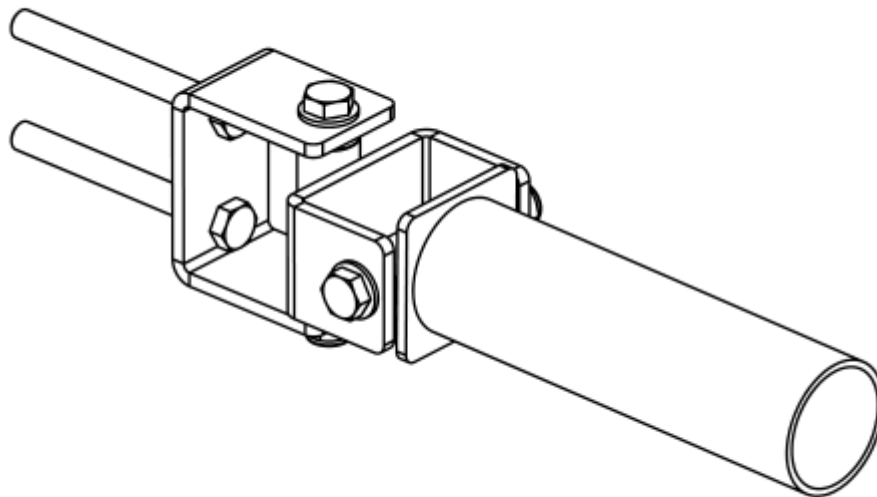
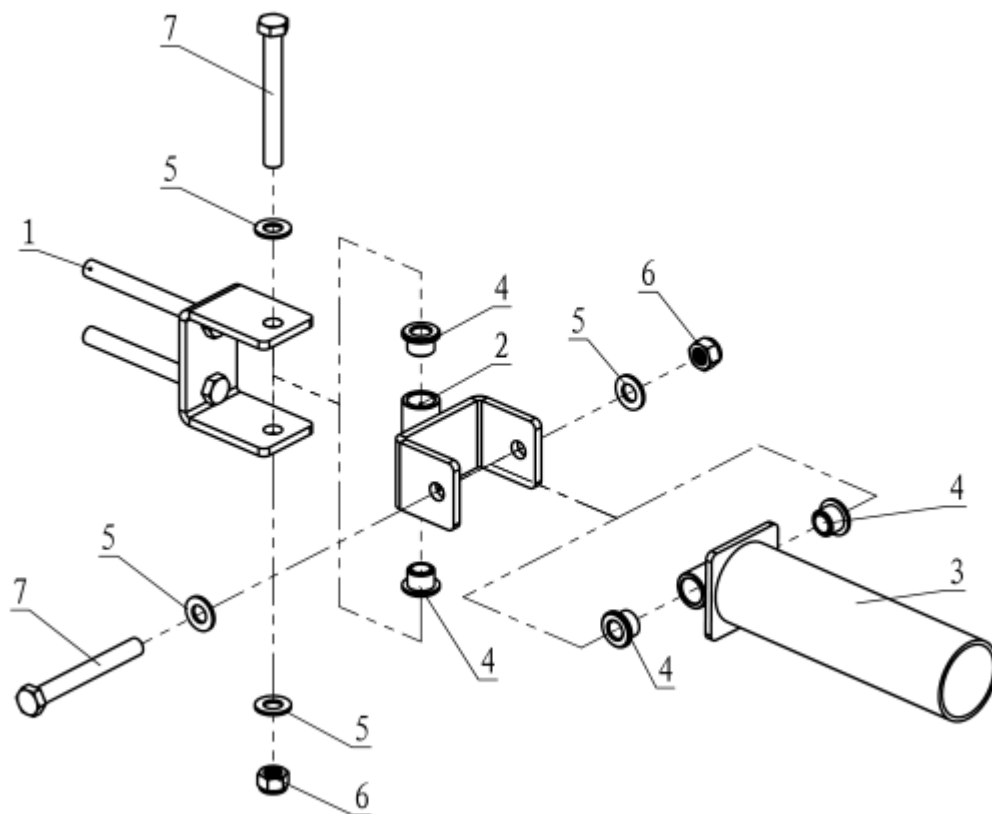


LACERTOSUS[®]

LANDMINE FOR POWER RACK PRO / INSTRUCTIONS



EXPLODED DRAWING



PARTS LIST

Part No.	Description	Q'ty
1	Fixed Connecting Frame	1
2	Rotating Frame	1
3	Bell Bar	1
4	Powder Metallurgy Sleeve	4
5	Flat Washer $\Phi 13.5 * \Phi 24 * 2.5$	4
6	Nut M12	2
7	Allen Bolt M12*100	2