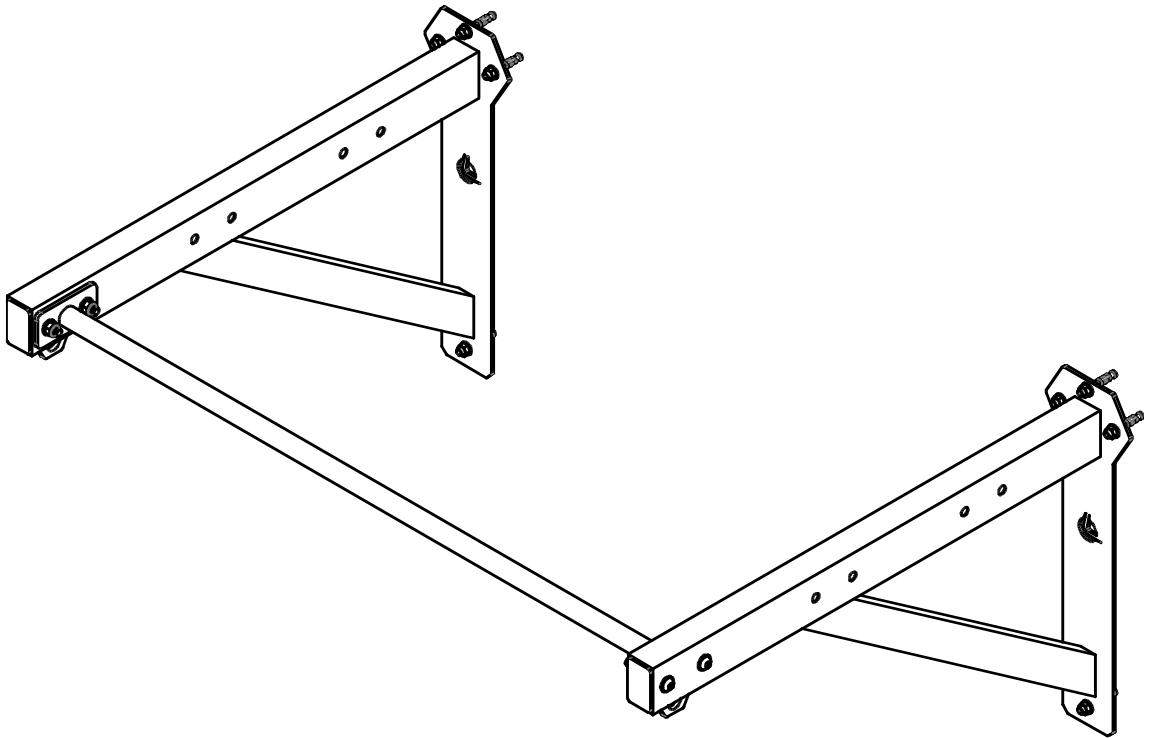
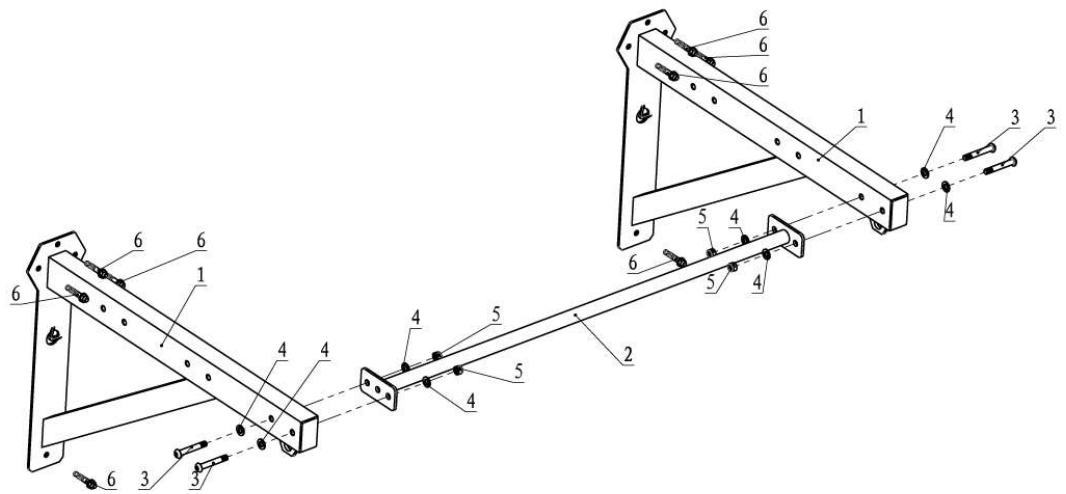


# PULL UP BAR

#PullW-P



# EXPLODED DRAWING & PARTS LIST



| No. | Description                             | Q'ty |
|-----|---|------|
| 1   | Side Frame                              | 2    |
| 2   | Horizontal Bar Tube                     | 1    |
| 3   | Allen Bolt M12x80mm                     | 4    |
| 4   | Flat Washer $\Phi$ *13.5* $\Phi$ 24*2.5 | 8    |
| 5   | Nut M12                                 | 4    |
| 6   | Expansion Bolt M10*70                   | 8    |

Please install the Horizontal Bar Tube(2) to the Side Frame (1), using Allen Bolt M12\*80mm( 3), Flat Washers (4) and Nut M12(5).  
 Finally, use expansion bolts to secure the product to the wall.

**Note: Please tighten all the Nuts using wrench.**