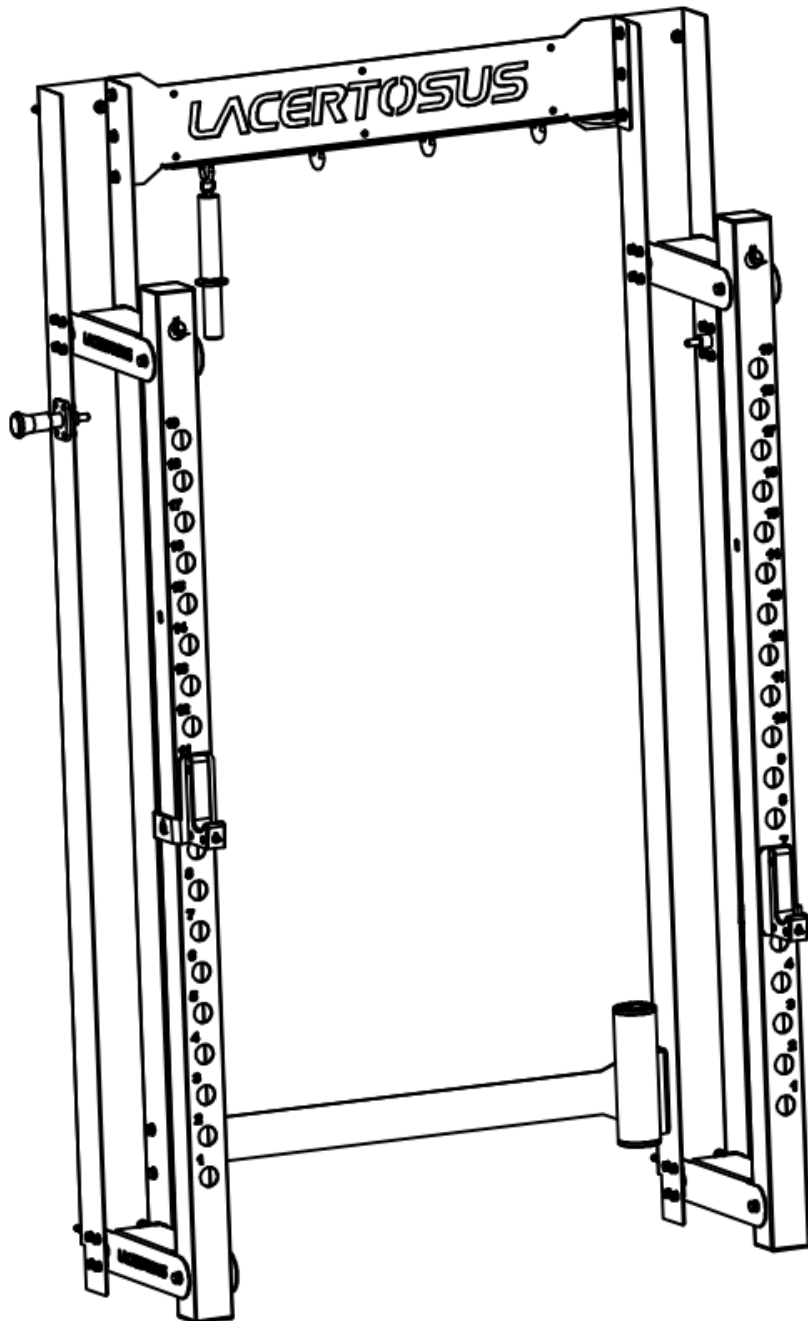
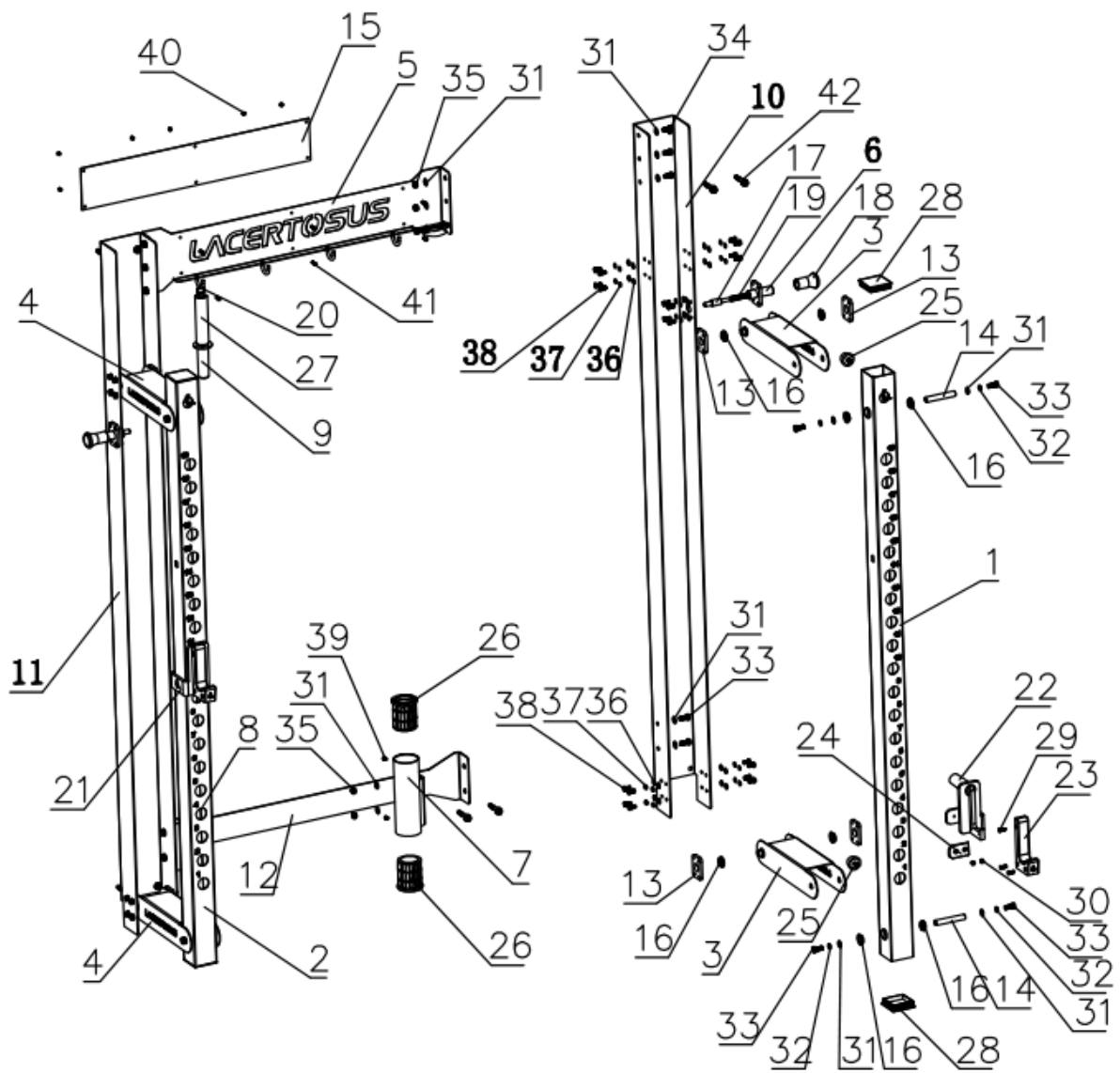


FOLDABLE RACK

SR47(PR-F)



EXPLODED DRAWING & PARTS LIST



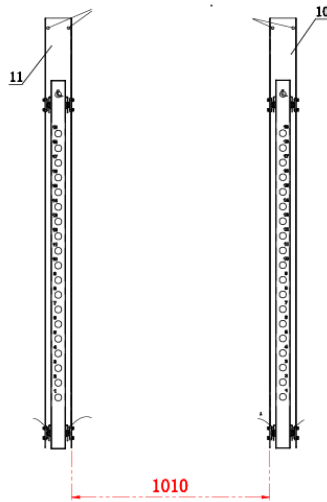
Part No.	Description	Q'ty	Part No.	Description	Q'ty
1	Left frame	1	22	Right J Hook	1
2	Right Frame	1	23	Plastic J hook	2
3	Left Connect Frame	2	24	Plastic Guard	2
4	Right Connect Frame	2	25	Rubber Mats	4
5	Upper Connect Frame	1	26	Barbell Sleeve	4
6	Fixed Plate Assembly Welding	2	27	Foam	1
7	Left Barbell Frame	1	28	Plug F75*2.5	4
8	Right Barbell Frame	1	29	Hex Bolt M6*20	6
9	Handle	1	30	Hex Bolt M6*10	4
10	Back Left Frame	1	31	Flat Washer $\Phi 11 * \Phi 20 * 2$	28
11	Back Right Frame	1	32	Spring Washer $\Phi 10$	8
12	Lower Connector Frame	1	33	Hex Bolt M10*25	12
13	Fixed Plate	8	34	Hex Bolt M10*20	6
14	Shaft	4	35	Nut M10	10
15	Logo Plate	1	36	Flat Washer $\Phi 9 * \Phi 16 * 1.6$	40
16	Power Liner	16	37	Spring Washer $\Phi 18$	40
17	Pin	2	38	Hex Bolt M8*15	40
18	Pull The Handle	2	39	Hex Bolt M5*10	4
19	Spring	2	40	Nut M5	6
20	Ring $\Phi 27 * \Phi 1$	1	41	Hex Bolt M5*10	6
21	Left J Hook	1	42	Expansion bolt M10*70	8

ASSEMBLY STEP

Note: Before starting assembly remove all parts and hardware from the carton, ensure you have everything according to the list.

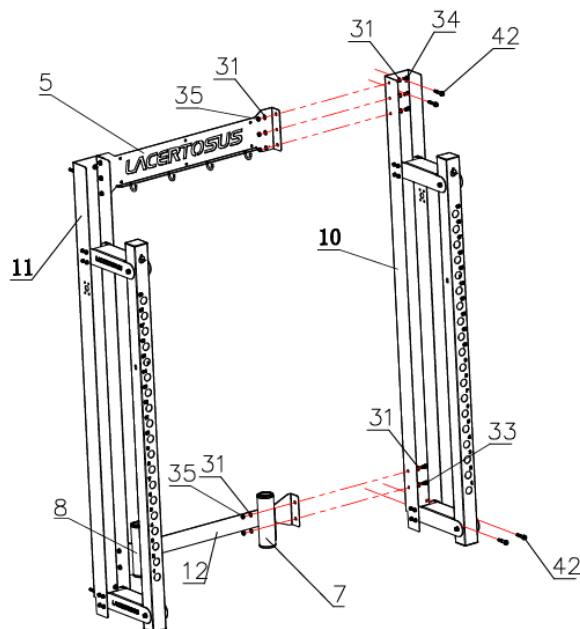
Step 1

First of all, we need to find out the position of the mounting hole in the proper position on the wall, so that the position distance between part 10 (Back Left Frame) and part 11 (Back Right Frame) is 1010mm.



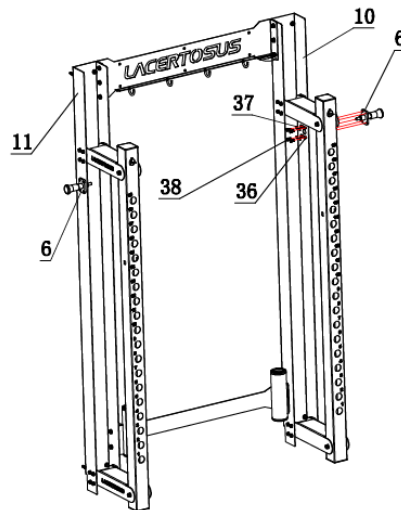
Step 2

Fix the Upper Connect Frame (5) and Left Barbell Frame (7) to Back Left/Right Frame (10/11), Using Flat Washer $\Phi 11 \times \Phi 20 \times 2$ (31), Spring Washer $\Phi 10$ (32), Hex Bolt M10*25 (33), Hex Bolt M10*20 (34), Nut M10 (35).



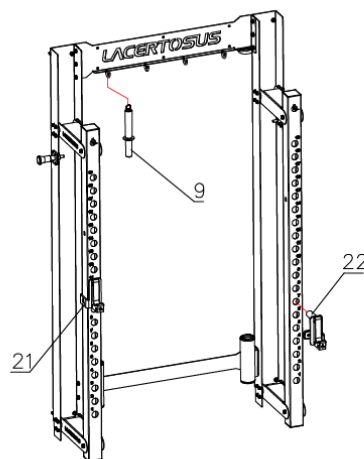
Step 3

Fix the Fixed Plate Assembly Welding (6) to Back Left/Right Frame (10/11), Using Flat Washer $\Phi 9 \times \Phi 16 \times 1.6$ (36), Spring Washer $\Phi 18$ (38),



Step 4

Install Handle (9) and Left/Right J Hook (22/23).



Please tighten all the nuts and bolts using wrenches.