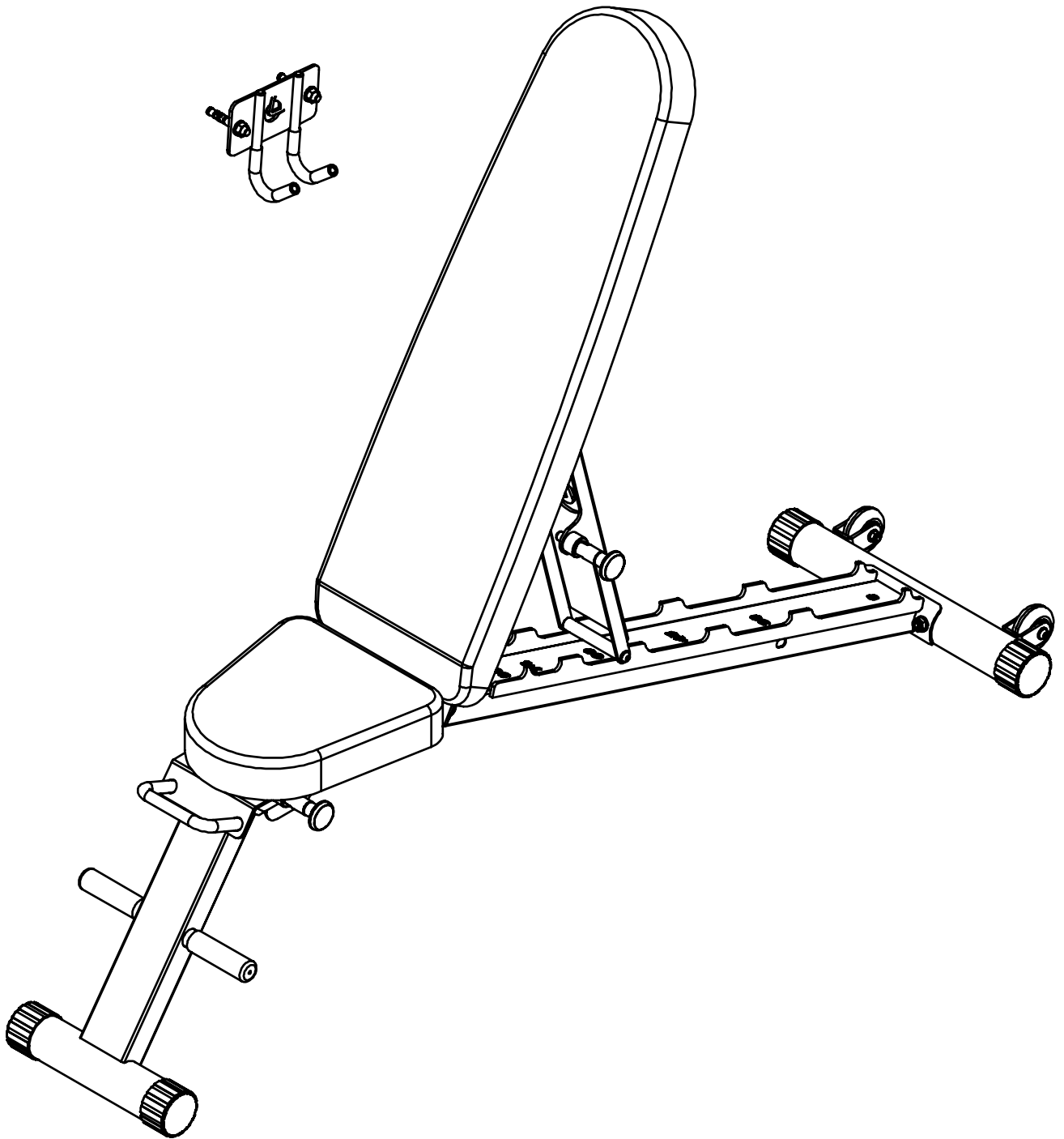
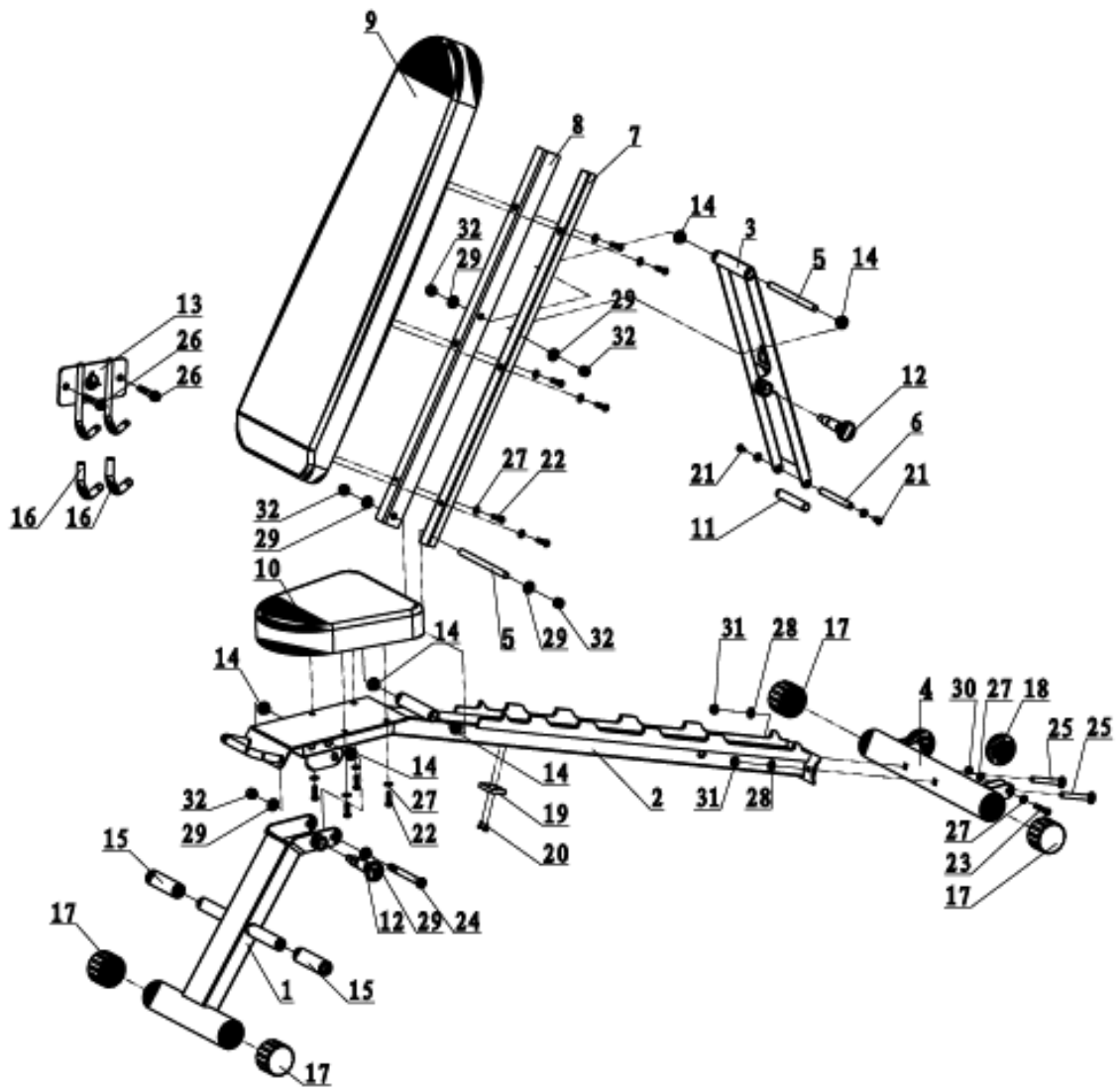


LAB-F(FID45)

Folding Bench



EXPLODED DRAWING



PARTS LIST

No.	Description	Qty	No.	Description	Qty
1	Support Frame	1	17	Sleeve ϕ 60*40	4
2	Main Frame	1	18	PU Wheel	2
3	Adjustable Frame	1	19	Rubber Mat	1
4	Base Tube	1	20	Hex Bolt M5*10	2
5	Shaft ϕ 60* ϕ 170*M12	2	21	Hex Bolt M8*15	2
6	Shaft ϕ 12*110*M8	1	22	Hex Bolt M5*10	10
7	Left Back Plate	1	23	Hex Bolt M8*25	2
8	Right Back Plate	1	24	Hex Bolt M12*115	1
9	Back Pad	1	25	Hex Bolt M10*75	2
10	Seat Pad	1	26	Expansion Bolt M10*70	2
11	Sleeve	1	27	Flat Washer ϕ 9* ϕ 16*1.6	16
12	Pins	2	28	Flat Washer ϕ 11* ϕ 20*2	2
13	Fixed Plate	1	29	Flat Washer ϕ 13.5* ϕ 24*2.5	6
14	Sleeve ϕ 25* ϕ 18* ϕ 12.2*13	6	30	Nut M10	2
15	Handle Sleeve ϕ 24*3*100	2	31	Nut M10	2
16	Foam ϕ 11*2*130	2	32	Nut M12	5