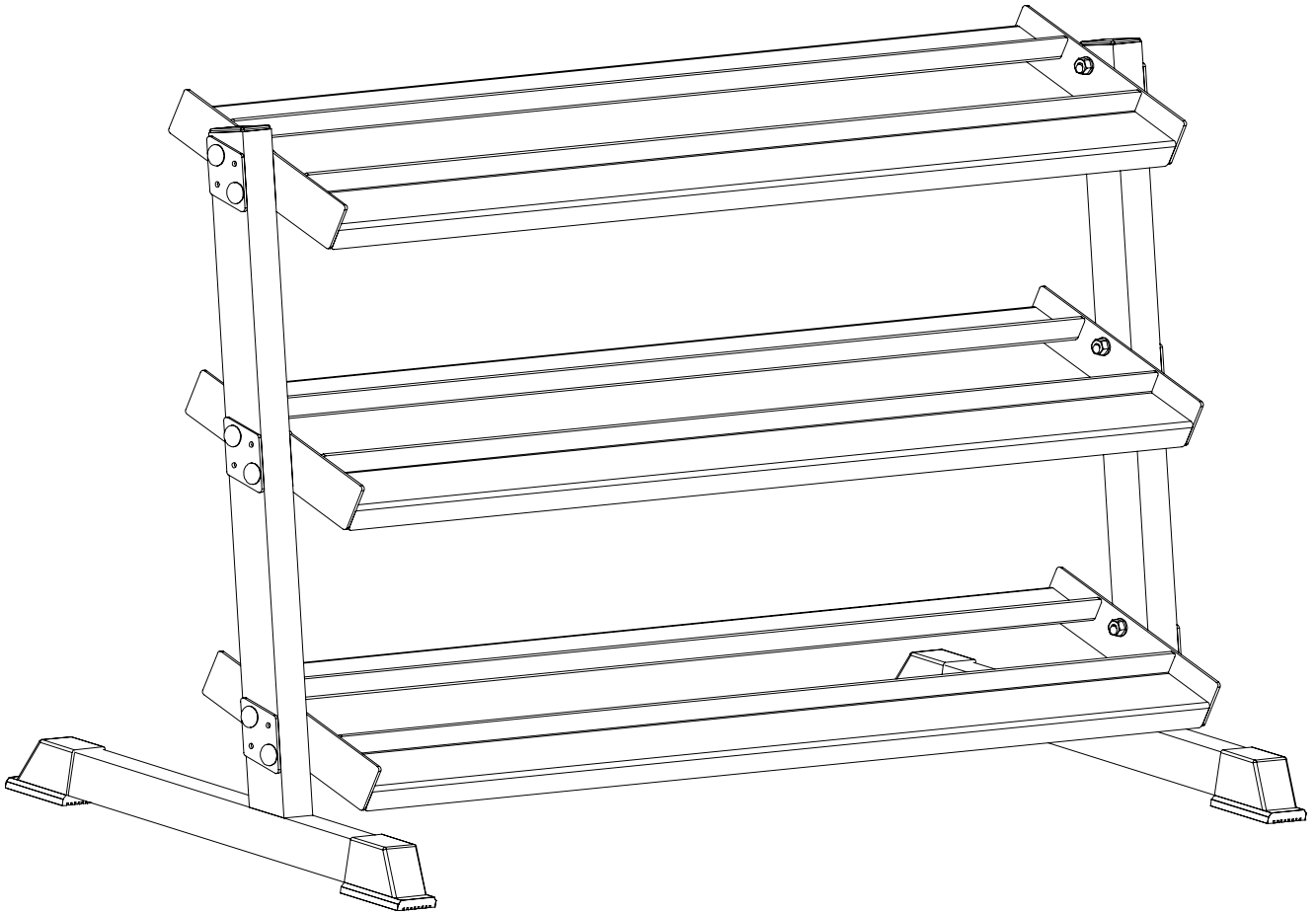
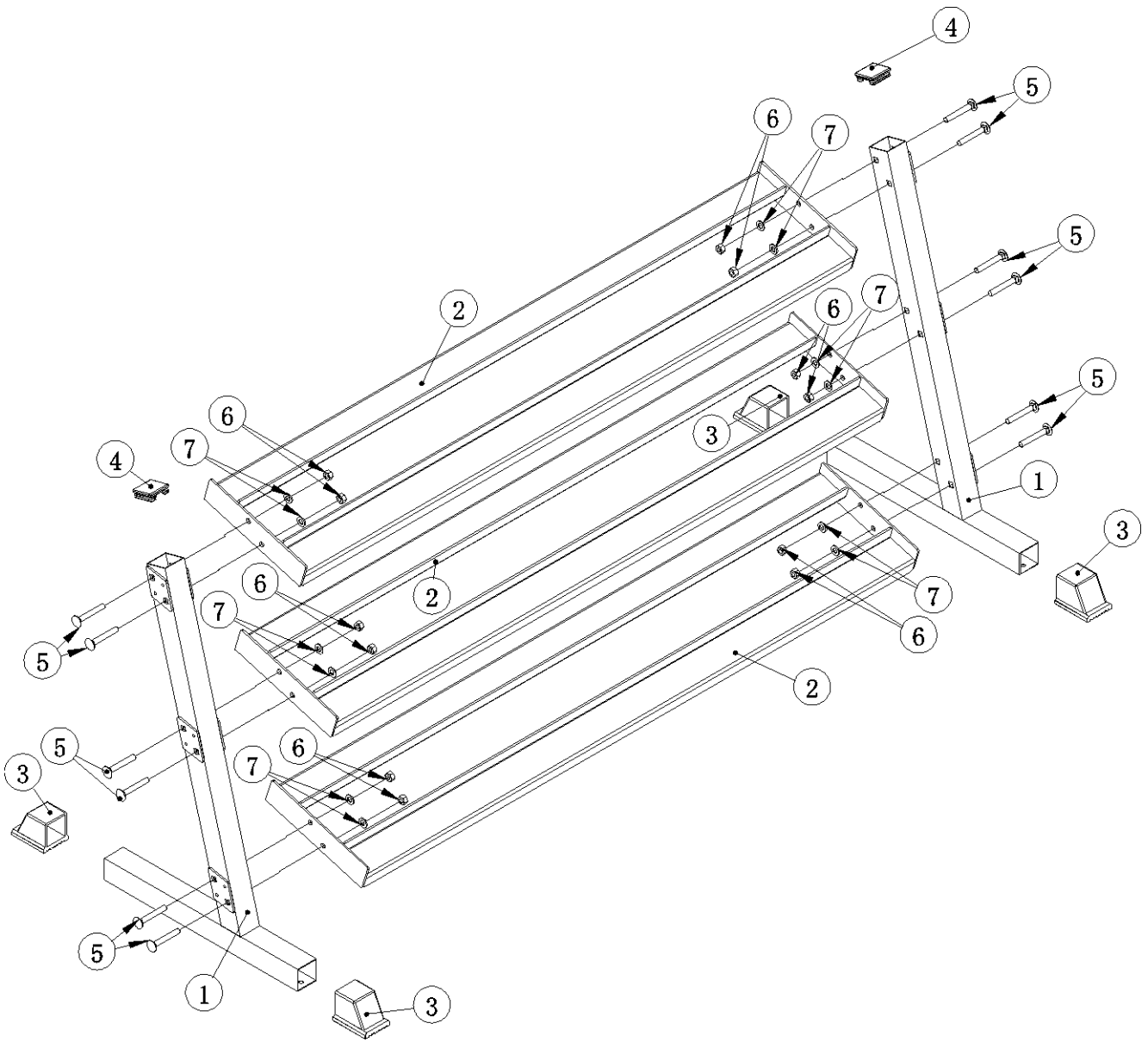


HEX RUBBER RACK

#R-DBR1



EXPLODED DRAWING



PARTS LIST

Part No.	Description	Q'ty
1	Support Frame	2
2	Dumbbell Saddle	3
3	End Cap	4
4	End Cap 50mm	2
5	Carriage Bolt M10*70MM	12
6	Lock Nut	12
7	Flat Washer For M10 Bolt	12

ASSEMBLY STEP

Install the Dumbbell Saddles(2) to the Support Frame(1),using 12 Carriage Bolts(5), 12 Flat Washers(7), and 12 Lock Nuts(6).

Tighten all the bolts with Allen wrench (included)