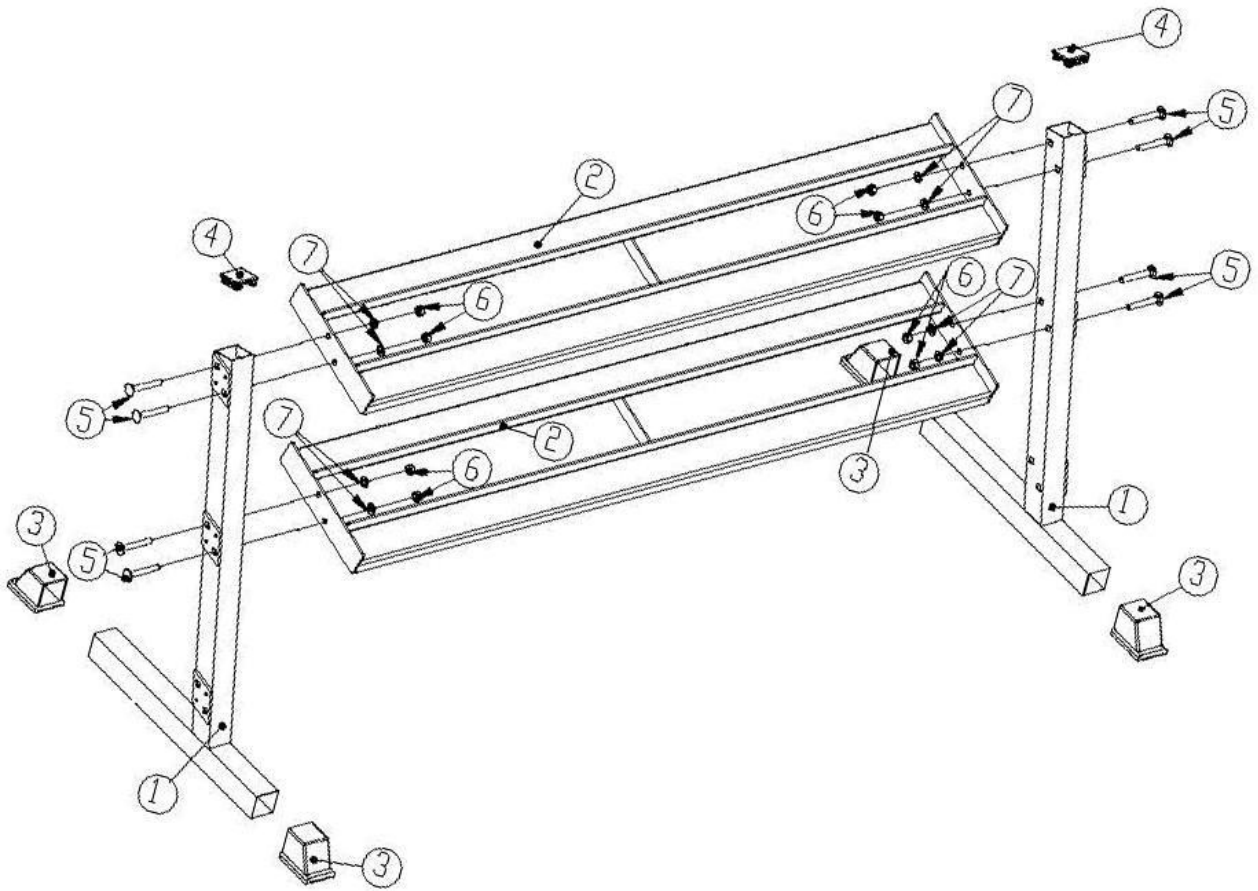


HEX RUBBER RACK

#R-DBR2



EXPLODED DRAWING & PARTS LIST



No.	Description	Q'ty
1	Support Frame	2
2	Dumbbell Saddle	2
3	End Cap	4
4	End Cap F50mm	2
5	Carriage Bolt M10x70mm	8
6	Lock Nut	8
7	Flat Washer for M10 Bolt	8

Please install the Dumbbells Saddles (2) to the Support Frame (1), using 8 Carriage Bolts (5), 8 Flat Washers (7) and 8 Lock Nuts (6)

Note: Please tighten all the Nuts using wrench.