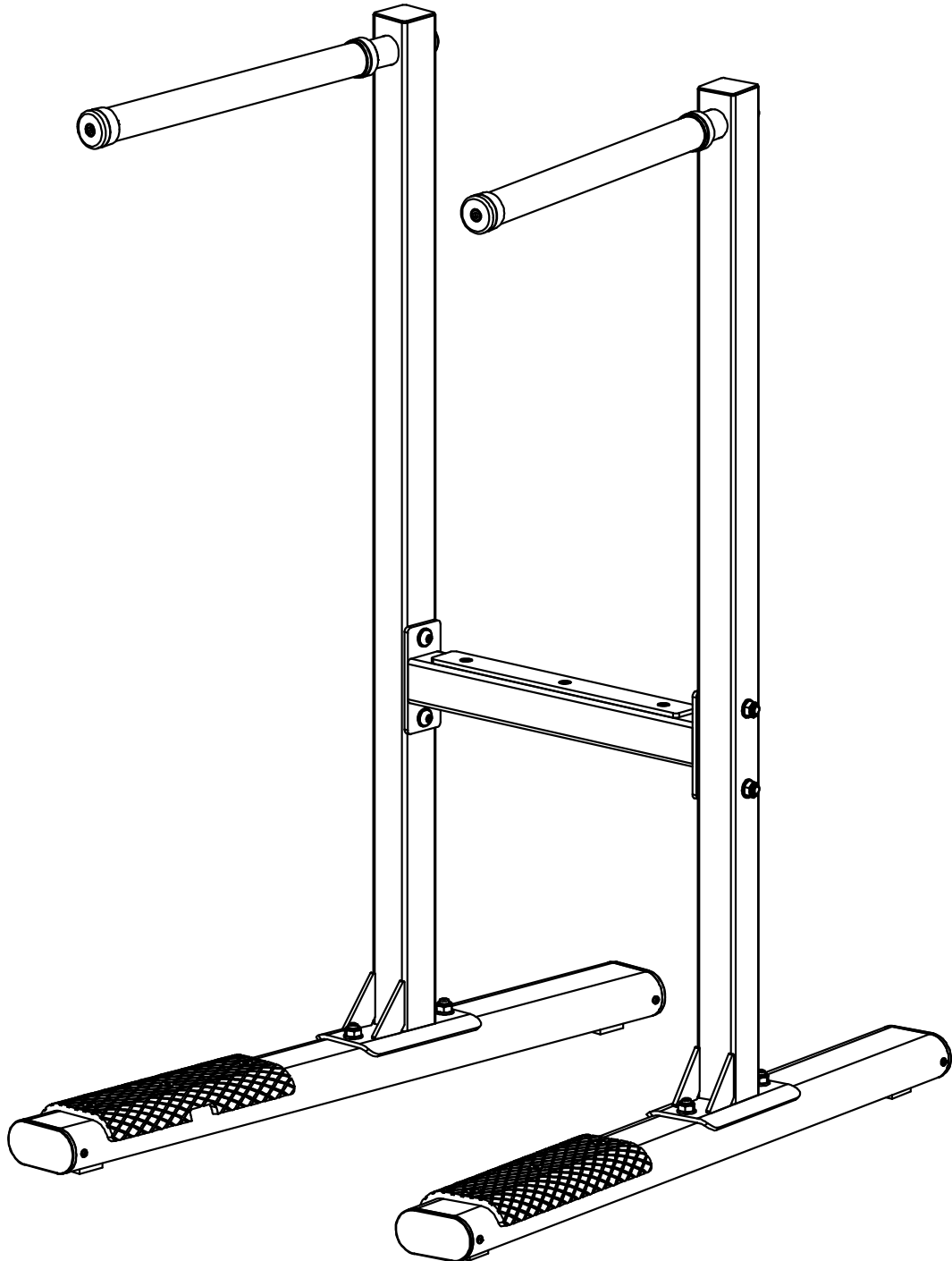
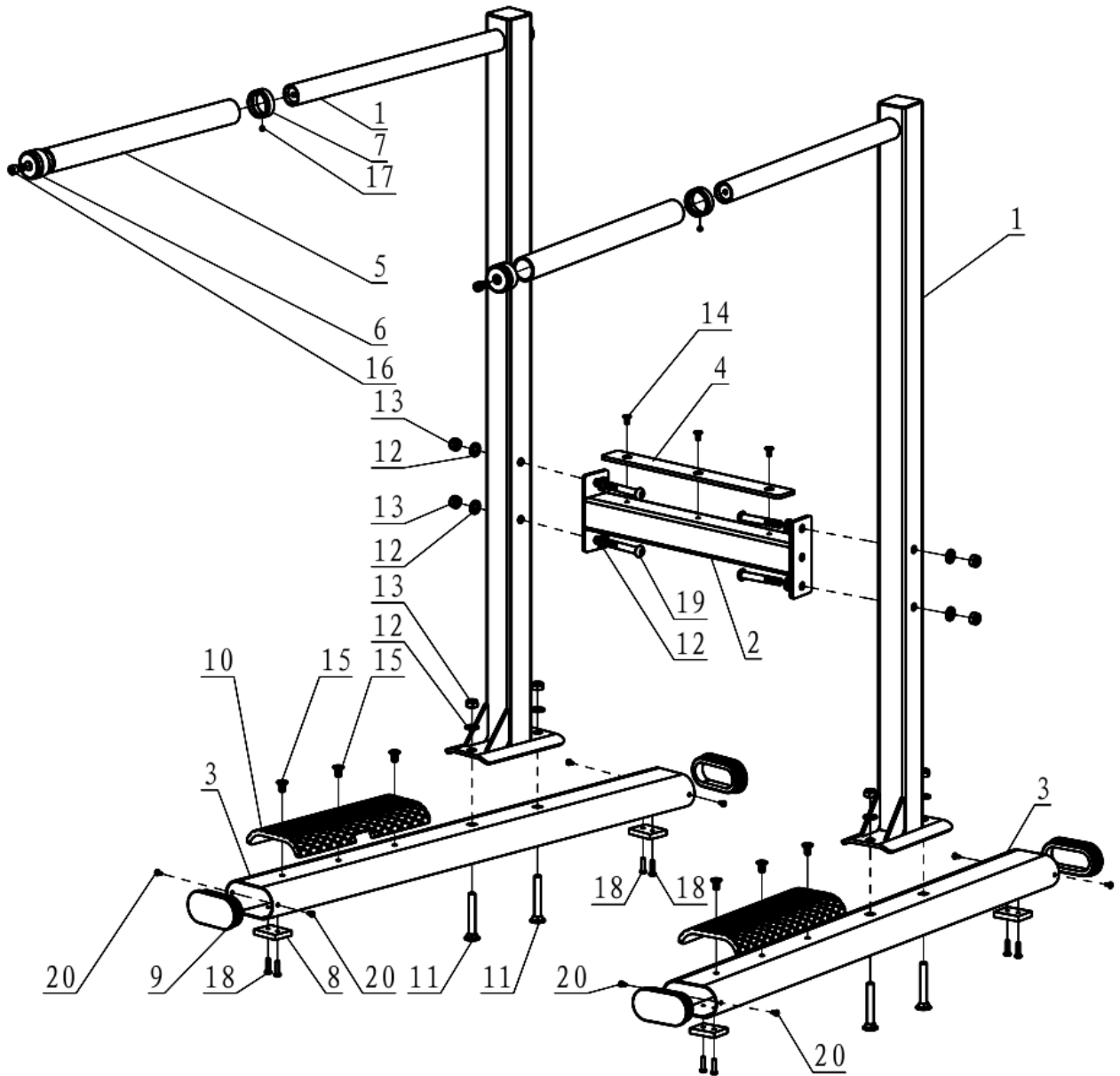


# DB10 (DIP-P)

## DIP STATION



# EXPLODED DRAWING



# PARTS LIST

No.	Description	Qty	No.	Description	Qty
1	Main Frame	2	11	Carriage Bolt M10*70	4
2	Horizontal Connecting Frame	1	12	Flat Washer $\phi 11 * \phi 20 * 2$	12
3	Base Tube	2	13	Nut M10	8
4	Connecting Plate	1	14	Hex Bolt M6*12	3
5	Foam	2	15	Hex Bolt M6*12	6
6	End Cap $\phi 32$	2	16	Hex Bolt M8*15	2
7	Ring $\phi 32$	2	17	Hex Bolt M6*6	2
8	Rubber Mat	4	18	Hex Bolt M5*20	8
9	Plug	4	19	Hex Bolt M10*70	4
10	Rubber Backing Plate	2	20	Cross Pan Head Bolt ST4.2*10	8