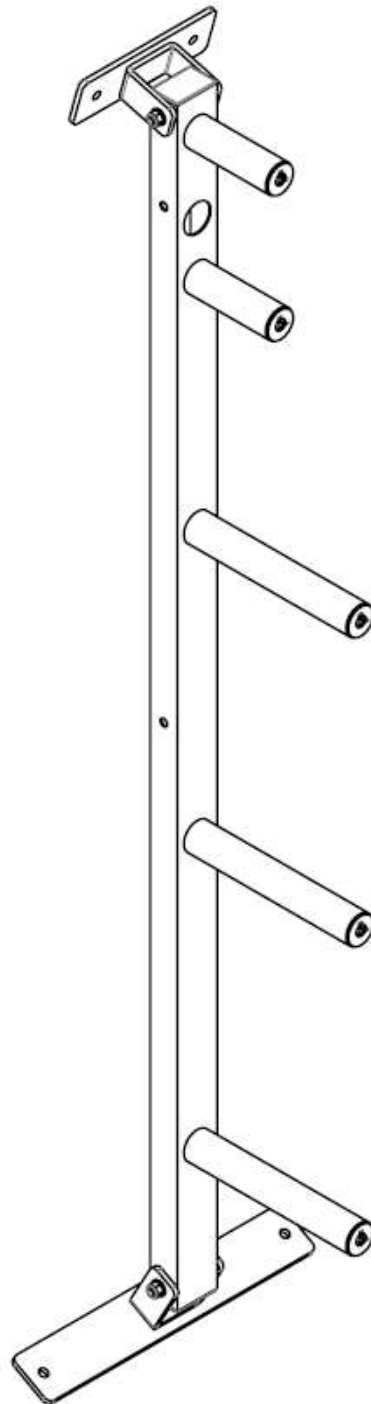
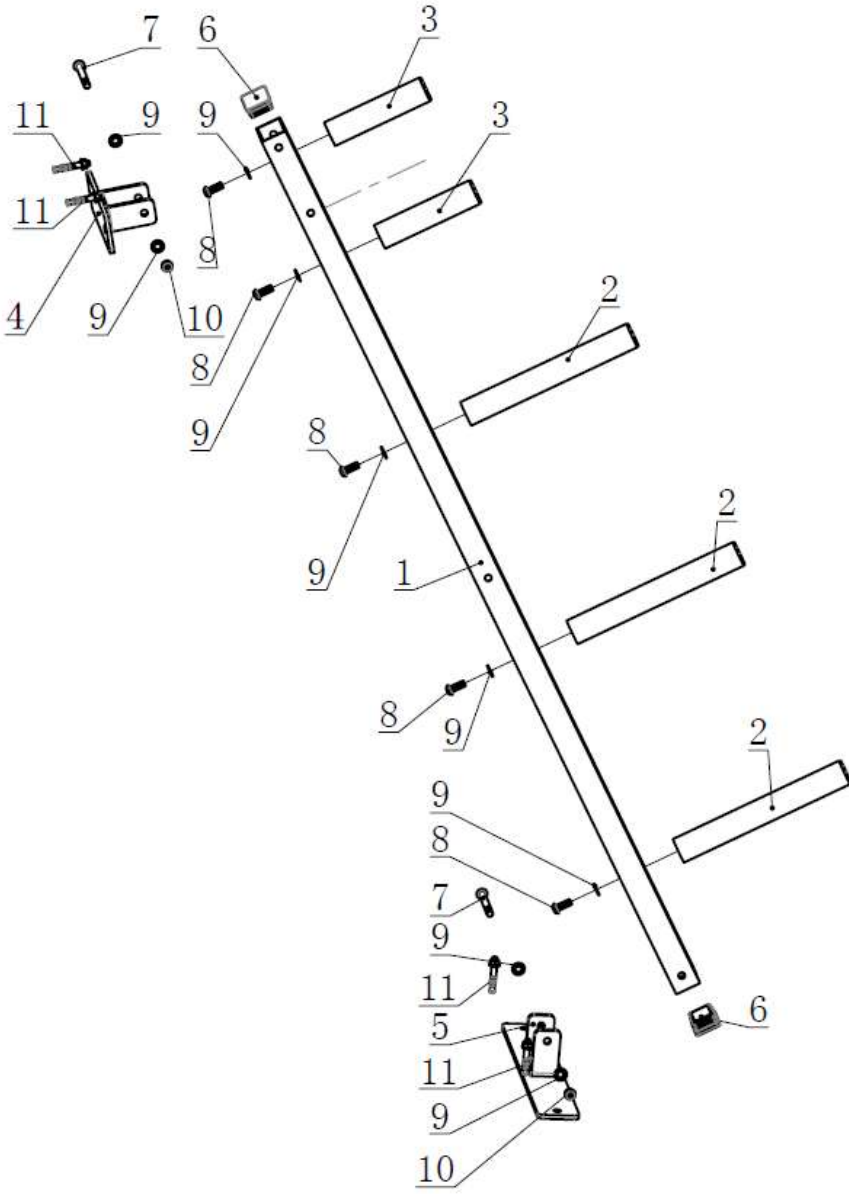


Vertical Bar Rack

VBR-W



EXPLODED DRAWING & PARTS LIST



PART LIST

NO.	DESCRIPTION	QTY	NO.	DESCRIPTION	QTY
1	Upright Frame	1	7	Bolt M12*110	2
2	Long Plate Holder	3	8	Bolt M12*30	5
3	Short Plate Holder	2	9	Flat Washer $\Phi 13.5 \times \Phi 24 \times 2.5$	9
4	Connecting Plate	1	10	Nut M12	2
5	Fixing Plate	1	11	expansion anchors	4
6	End Cap Square 50*75	2			

1. Assemble (1) Upright Frame, (4) Connecting Plate and (5) Fixing Plate, using (7) Bolt M12*110, (9) Flat Washer $\Phi 13.4 \times \Phi 24 \times 2.5$ and (10) Nut M12.
2. Install (2) Long Plate Holder and (3) Short Plate Holder on (1) Upright Frame, using (8) Bolt M12*30, and (9) Flat Washer $\Phi 13.4 \times \Phi 24 \times 2.5$.
3. Fixing the rack on the wall or the floor, using (11) expansion anchors. Then tighten all the bolts.

